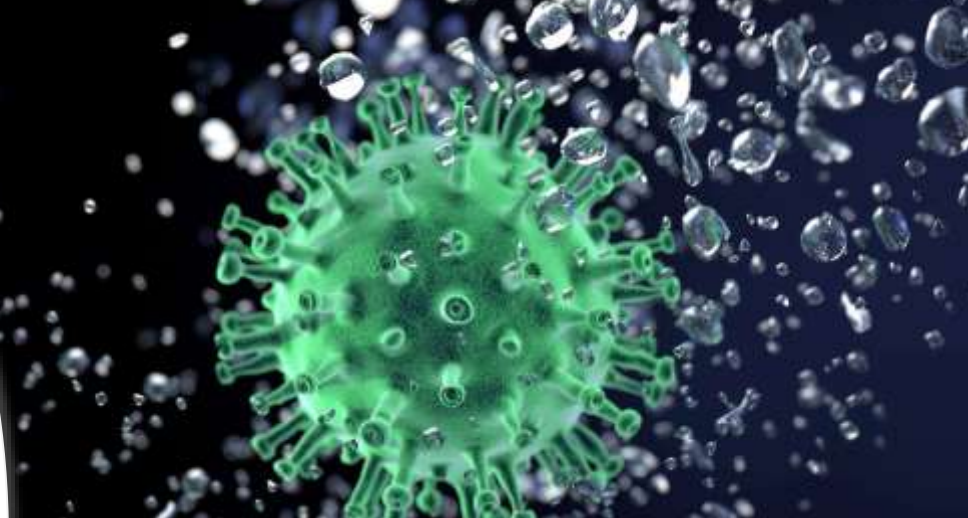




PPE Products Catalog 2020



CONTACT US -

Website: www.unitedsupplycorp.com

Email: orders@unitedsupplycorp.com

Phone: 718-439-9387

Fax: 718-492-0304



How Is Your Facility Planning a Safe Workplace Reopening?

***Masks & Gloves
Hand Sanitizer & Stations
Shields
Non-Contact Thermometers
Thermal Screening
UV Cleaning
Cleaning Supplies
Barrier Shields***

We Have ALL your PPE Essentials!

Table of Contents

Masks	Pgs 4-17
Gloves	Pgs 18-20
Face Shields	Pgs 21-26
Protective Wear	Pgs 27-32
Thermometers	Pgs 33-36
Wipes	Pgs 37-43
Thermal Screening	Pgs 44-48
Hand Sanitizers	Pgs 49-58
Hand Sanitizer Stands	Pgs 59-61
Barrier Shields	Pgs 62-67
Covid 19 Signs	Pgs 68-70
Disinfectants & Disinfectant Machines	Pgs 71-75
Covid19 Tests	Pgs 76-78



**NEW
PRODUCTS!**



Barrier Shields



VALUE DURASAFE DESK-TOP SHIELD

Sits on classroom desk

- designed for use in the classroom
- installs with clips, easy to fold and transport
- high impact, lightweight, PETG construction
- standard size: 21" w x 13" d x 18" h
- custom sizes available, ask about bulk discount



Sits on counter or desk

VALUE PVC FRAMED ECONOMY SHIELD

- suitable for customer service, office and commercial use
- easy to set up - no tools required
- PVC frame with 20mm fire-rated vinyl shield
- standard size: 48" x 36" w
- custom sizes available



VALUE STANDING SHIELD

Floor Support

- ideal for professors, teachers and presenters
- standard feet or caster wheels for portability
- aluminum frame with 20mm fire-rated vinyl shield
- standard size: 6'-6" h x 8' w
- custom sizes available

Office Shields™ offers social distancing and hygiene divider solutions that bring companies, government offices and schools back together safely.

NEW!!

New! Disposable Face Mask Dispensers – 3 styles to choose from



DCMK1000AM Disposable Mask
Dispenser Box Imprinted
Assembled
9.5" W x 8.5" H x 5.75" D

All Dispensers Hold up to 50 Individually Packaged Disposable Face Masks.

Available Blank or with Full-Color Imprint; 1 Location.
Select Assembled or Unassembled for each style



MK1001AM Disposable Mask
Dispenser Holder
With Clear
Pressure Plate
Blank Assembled

9.25" W x 8.25"
H x 5.5" D



DCMK1002 Disposable Mask
Dispenser Holder
With White Plate
Imprinted
Unassembled

9.25" W x 8.25" H
x 5.5" D

Prices and availability subject to change without notice.



NEW! Holiday Masks

CARE LABEL

ONYX+ BLUE CORPORATION
 LACHINE, QC, CANADA, H7T 1G9
www.onyxandblue.com

MADE IN / FABRIQUÉ AU
 QUÉBEC, CANADA

95% POLYESTER / 5% SPANDEX
 100% POLYPROPYLENE (PPNW)

95% POLYESTER / 5% ÉLASTHANE
 100% POLYPROPYLENE (PPNW)

Machine wash cold, gentle cycle
 Do not bleach.
 Hang to dry.
 Do not put in dryer.
 Do not iron.

Laver à la machine à l'eau froide
 au cycle délicat.
 Ne pas utiliser d'agent
 de blanchiment.
 Suspendre pour sécher.
 Ne pas mettre dans la sècheuse.
 Ne pas repasser.



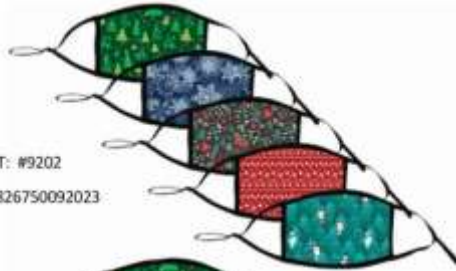
Three sizes, Adult,
 Junior and Kids - five
 assorted patterns
 MOQ: 25 masks

Displays available for Holiday Masks

15" Counter Display holds 75 masks
 26" Counter Display holds 125
 masks
 19" Floor Display holds 300 masks

ADULT: #9202

UPC 826750092023



CHILD (3-7): #9203

UPC 826750092030



JUNIOR 8-12): #9204

UPC 826750092047



15" COUNTER DISPLAY - HOLDS UP TO 75 MASKS

AVAILABLE WITH ANY PURCHASE OF \$300

NEW!!

NEW! Electrostatic Sprayers & Spray Bottles



Electrostatic Handheld Sprayer



Electrostatic Backpack Combo Turbo Sprayer 16L Li-ion Battery Disinfectant Atomizer

Model #	Description
GOS100MLSPRAY	32oz Spray Bottle, HDPE, honeycomb, trigger spray
GOSPETSPRAY	8oz Spray Bottle, cylinder, clear, pump spray
GOSMINISPRAY	2oz Spray Bottle, cylinder, clear, pump spray

NON-MEDICAL VINAL PF DISP THERMOPLASTIC ELASTOMER GLOVES



- 200 count box
- MOQ: 1 Case
- FOB OH



FUJI BATTERIES – In Stock!



- The market for traditional batteries is approaching \$14 billion at retail.
- 89% of this multi-billion dollar industry is made up of alkaline battery sales.
- Rechargeable battery sales have been growing consistently.
- Eco-Retailing is a \$230 billion industry which will grow another \$87 billion in the next 12 months.
- Six out of ten consumers say they are more likely to purchase “green” products this year.
- 40% of Americans would rather buy environmentally friendly products.

PPE PACKS – Perfect for backpacks, travel & on the go!

Adult's Pack: All items are FDA registered.

- One pair latex-free Nitrile Gloves in sealed cellophane bag.
- One ear loop face mask in sealed cellophane bag.
- One 1oz bottle hand sanitizer (70% alc minimum)



Children's Pack :

- One pair latex-free Nitrile Gloves X-Small in sealed cellophane bag.
- One cartoon printed small ear loop face mask in sealed cellophane bag.
- One 1 oz. bottle hand sanitizer (70% alcohol).



NEW!!

NEW! Omni Q Spray Disinfectant



Key Highlights on Omni Q:

Kills COVID-19 in 1 Minute!

- Kills bacteria and Viruses including Covid 19 and Tuberculosis
- Two in one cleans surfaces and disinfects in one step. No mixing ready to use.
- Hospital Grade EPA registered
- Made in USA since 1921

Item: OMNI-Q 32 oz. 2-in-1 detergent and disinfectant with a spray bottle

Case pack: 12 units of 32 oz.

Pallet Quantity: 44 cases per pallet (528 bottles)

MOQ: 12 Cases

Freight Prepaid in the continental US

NEW!!

NEW! EPA Approved Wipes and Disinfectant Spray



Envirocleanse A Disinfectant Spray is on the EPA N list with EPA number of 85134-1

Envirocleanse-A is a broad-spectrum, liquid disinfectant that is organic, biodegradable and safe for use on all hard surfaces.

32oz bottle with trigger sprayer
12 bottles per case
48 cases per pallet
MOQ: 1 pallet

Smart Wipes Bucket Wipes
soaked in **Envirocleanse A**
300 wipes per bucket

10 buckets per case
30 cases per pallet
300 buckets per pallet
MOQ: 1 pallet



Prices and availability subject to change without notice.

NEW!!

NEW! EPA Approved Blue Streak Disinfectant Spray



BLUE STREAK is a breakthrough shelf stable Hypochlorous Acid (HOCL) in Electrolyzed Water product that uses cutting edge biomimicry technology that represents powerful disinfection, sanitization, and deodorization.

EPA 92108-1-94561 has demonstrated effectiveness against viruses similar to SARS-CoV-2 on hard, non – porous surfaces, therefore, BLUE STREAK can be used against SARS-CoV-2 when used in accordance with the directions for use against Norovirus on hard, non-porous surfaces

Made and bottled in the USA, BLUE STREAK ANOLYTE 500 is a CLASS IV EPA APPROVED DISINFECTANT which is the safest category of disinfectant yet strong enough for hospital use with NO requirement for PPE.

BLUE STREAK is made from only three ingredients: salt, water and electricity. Our formula is made by sending an electrical charge through the salt water in an electrolyte cell to create Hypochlorous Acid (HOCL) , which is the same compound produced by our own white blood cells to fight infection.

BLUE STREAK can be used in institutional, industrial, and commercial facilities as well as home.



Prices and availability subject to change without notice.

NEW!!

NEW! Blood & Bodily Fluid Spill Kit

Avoid Coronavirus Contact

Blood & Bodily Fluid Spill Kit

PROTECTION AGAINST CORONAVIRUS, FLU VIRUS & EMERGENCY BIOLOGICAL SPILLS

SPKIT10292 – Bag, Single Use

SPKIT10293 – Hard Case, Single Use

Each Kit Includes:

- 2 Biohazard Bag, 24"x23"
- 2 Twist Ties
- 1 Ear-loop Face Mask w/Face Shield
- 2 Nitrile Gloves, Large
- 3 Dry Wipes
- 1 Level 1 Isolation Gown
- 2 Hand Sanitizer Wipes
- 1 Bio Scoop & Scraper
- 1 Red-Z[®] Liquid Solidifier
- 2 2oz Sanitizing Spray
- 2 Shoe Covers
- 1 Instruction Card
- 1 SPKIT10293 ONLY – Hard Case



*Due to the Pandemic, items in picture may not accurately represent actual items in the kits

Prices and availability subject to change without notice.



Masks





READ MY LIPS PROTECTIVE MASK



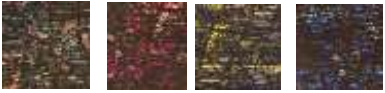
ASSORTED SOLID COLORS
ADULT: #9095
KIDS (4-7): #9097
JUNIOR (8-12): #9096



Our masks are comfortable, durable, washable and fit well.
Double thickness, Double fold (2-Ply)
Adjustable elastic ear loop
Each mask is individually packaged



ASSORTED PRINTS
ADULT: #9092
KIDS (4-7)#9093
JUNIOR (8-12): #9094





Five Pack Mask Set

Durable, washable, reusable.

100% Polypropylene

Item: 9052

Inner: 25 Master: 200



Protective Facial Masks for Adults
Washable, Breathable, Durable
100% polypropylene
Protective Facial Mask – Adult
Available in Black & Grey
Item: 9002



Protective Facial Masks for Kids
Washable, Breathable, Durable
100% polypropylene
Item: 9013 Protective Facial Mask – Kids 3-7
Item: 9014 Protective Facial Mask – Kids 8-12



Fashion Masks

Comfortable, durable, fit well.

100% Polyester

Each Mask individually packaged.

Case: 25 units in 5 assorted colors



Inner: 25 Master: 200



Sports Collection Kids 3-7 Item: 9063

Sports Collection Kids 8-12 Item: 9064



Diamond Argyle Collection – Adult Item: 9042

Diamond Argyle Collection - Kids 3-7 Item: 9043

Diamond Argyle Collection Kids 8-12 Item: 9044



NEW!

Decorate your Own Collection

Fun activity for children. Double fold (2 ply) 100% cotton.

4 permanent fabric markers included.

Item: 9083 Kids 4-7

Item: 9084 Kids 8-12

Inner: 25 Master: 200

Fashion Masks

Comfortable, durable, fit well.

100% Polyester

Each Mask individually packaged

Inner: 25 Master: 200



Tartan Collection Adult Item: 9032



Camouflage Collection Adult Item: 9072

Camouflage Collection Kids 8-12 Item: 9074



Houndstooth Collection Adult Item: 9052

TIG-C-DM-301 Disposable Mask

TIG-C-FM-601 Reusable Mask

TIG-C-95m-501 KN95 Masks

Your name & logo on each carton
FDA Approved
Delivered anywhere in the US



Item: CM
Civil Masks
(50 units)



Item: IPFC
Infection Prevention Face Mask
Minimum purchase 5,000 unit

Infection Prevention Face Mask
Multilayer Protection Extra Breathability

Great for Virus Protection and Personal Health



Item: T1001
Procedural Masks Level 1-(50 units)



PRODUCT SPECIFICATION	
PRODUCT #	T1001
COMPOSITION	Non-woven fabric
TYPE / SIZE	Planar type with Ear-Loop, 175mm x 95mm
COMPLIANCE	EN 14883 (Europe Used Standard) YY 0469 (China Used Standard) ASTM F2100-11 EN 149:2001
CERTIFICATION / REGULATION	PDA, CE Standard 0342 EEC, ISO 13485
CLASSIFICATION	TYPE IIR STANDARD, ASTM LEVEL 1
PERFORMANCE	BFE >95% with 80% PFE >95% with 87% @ 0.1 microp Fluid resistance at 120mmHg Flame spread Class 1

Kids 3 Ply Disposable Masks

DMK-1	Kids 3 ply Protective Mask
DMK-2	Kids 3 ply Protective Mask
DMK-3	Kids 3 ply Protective Mask
DMK-4	Kids 3 ply Protective Mask
DMK-5	Kids 3 ply Protective Mask



Item: CFK-KN95
KN95 Masks
2,000 pcs/case
10/box (Inner)



Item: KN95

KN95 Protective Mask

Anti-bacterial and dust protection, FDA (under EAU) and CE approved for general purpose use, KN95 is industry-standard and means that the mask provides the intended effectiveness of filtering 95% of particles with a mass median diameter of 0.3 micrometers



Item: 9500-N95-Makrite

These masks are intended to be used for protection against solids. They are extremely durable with a soft and comfortable inner surface. They have an adjustable nose piece and secured head straps to provide proper fit. These masks have a 510(K) number for the medical market and can be used TB situations as recommended by OSHA.



Item: FM30D

2 Layer "Diamond" Face Mask (Washable)

Fluid resistant. Washable. Ideal for daily use with excellent breathability. Bacterial filtration of up to 99% (for media greater than 3 microns)
Case: 240 pieces



Item: DM10

3 Layer Disposable Mask

High efficiency protective grade material. Multilayer and high filtration capacity. High quality bridge strips are easy to fix. High elastic ear loops are comfortable to wear. Skin friendly with excellent breathability.
Box: 50 units



Indagari ni sy digni from here account

BAMBOO: 2 LAYER MASKS

Washable and reusable. Soft, comfortable, Silver ion coating – antibacterial. Spandex for softness and stretch.

10 masks per bag
100 masks per case



Item: FM-30R

Item: FM-30D

3 Layer "Box" Face Mask (Washable)
Fluid resistant. Washable. Ideal for daily use with excellent breath-ability
Bacterial filtration of up to 99% (for media greater than 3 microns)
Case: 240 units



Item: 01358
3 Ply Disposable Mask
MOQ pallet
Case: 50



Item: 01357
KN95 Masks
MOQ pallet
Case: 100
CE Approved



Cloth Mask, 5 pack
Item# clothmask
Case pack: 20 for 5 pack

This mask is washable, reusable and long-lasting. It can be washed by hand or placed in the washer.

- Color: Black
- Each Mask has a Permanent Filter Sewn in
- Material: Cotton



Item: E-KN95
KN95 Protective Mask
Case Pack: 600

These three-dimensional protective KN95 mask effectively filters and protects from PM2.5 air particulate matter and bacteria.

- Color: White
- Anti-bacterial and Environment Friendly
- Wider Elastic Band to Relieve Ear Discomfort





Gloves



Nitrile Gloves [Representative Brands]

Element	Description
Country of Origin	Multiple
Brand	Mixed
Part Number	CS-NG-100
Certifications	FDA 510K
Materials	NITRILE
Sizing	S, M, L, XL
Packaging	<ul style="list-style-type: none"> ✓ 100 per box ✓ 10 boxes per case ✓ 70 cases per pallet ✓ Weight per case: 3.4 KG
MOQ	✓ Case



Vinyl Gloves

Element	Description
Country of Origin	Multiple
Brand	Mixed
Part Number	VG-10-44
Certifications	FDA 510K
Materials	VINYL
Sizing	S, M, L, XL
Packaging	<ul style="list-style-type: none">✓ 100 per box✓ 10 boxes per case✓ 70 cases per pallet✓ Weight per case: 3.4 KG
MOQ	✓ Case





Face Shields



Face Shield

Item: FSLP-33

Flexible, Light, comfortable.

Added layer of protection.

PET and foam

50 shields per case



Packaging may differ from item pictured



Protective Shield

Face Shields Anti-Fog

Free Imprint Shield at 20,000
PIECES

Size-32* 22CM

Item # TIG-C-FS-101

Minimum order 5000 units

Free private labeling is available on the clear shields.

Domestic Shipping- No
freight charged

All items are free freight to
any city in the 48 U.S.
Mainland States. Extra
shipping charge to Alaska,
Hawaii & Puerto Rico) for
5,000,10,000 & 20,000 pieces

*International Shipping- Free
delivery to any Country
around the World at the
port.(Port to Port) on 20,000
pieces

Complete Face Protection

Opti-Shield

Offers full face protection from splashes, sprays, splatters, or droplets of potentially infectious materials that pose a hazard to the eyes, nose, or mouth. The wraparound design of the Opti-Shield allows complete, distortion free viewing. The foam band keeps the shield a comfortable distance from the face and does not interfere with most eyeglasses.



<u>CODE</u>	<u>DESCRIPTION</u>	<u>QTY</u>
SPPEC10153	Full face protective shield	50/cs

Kids Anti-Fog Face Mask



Domestic Shipping-No freight charged

All items are free freight to any city in the 48 U.S. Mainland States. Extra shipping charge to Alaska, Hawaii & Puerto Rico) for 10,000 & 20,000 pieces

Size- 29*19cm, thickness:25

International Shipping- Free delivery to any Country around the World at the port.(Port to Port) on 10-20,000 pieces

Minimum order: 10000 units per design





Protective Wear



Shoe Covers

Item# SCF
Shoe Cover
PACKED 500 PER BOX

Shoe Covers Felt Non-Skid:



Item: SC -10
Shoe Covers
Fluid resistant. Aerosol particles
resistant. Non slip fabric.
Washable and reusable.
Polypropylene fiber.
Case: 50 pairs



Protective Caps and Coverall

Item: DC-44
Caps [Disposable]
20G non-woven PP
Elastic
Case: 50 pairs



Full Body Protective Coverall
FDA Level 1.
Fluid resistant. Aerosol particles resistant.
Washable and reusable. Breathable. All
seams taped. Non-sterile.
Non-woven polyethylene
Case: 50 coveralls



Disposable Gowns



20G non-woven PP \square Fluid Resistant
Aerosol Particle Resistant
Side and back ties
Safe non-woven polypropylene fabric
Item: DIG-44
50 Gowns per case



Liberated Art Canvas





Washable Gowns

70G non-woven PP
Fluid Resistant
Aerosol Particle Resistant
Washable and Reusable
Item: IG-10
20 Gowns per case

Reusable Nylon Isolation Gown



FRONT



SIDE



REAR

MATERIAL SPECIFICATIONS

- AAMI LEVEL 2 BARRIER
- DURABLE WATER REPELLENT COATING
- ULTRALIGHT: 1.9 OZ/SQ YARD
- CAN BE LAUNDERED UP TO 50 TIMES
- SANITIZABLE
- 100% NYLON 70 DENIER RIPSTOP WEAVE

\$22.50/gown

Level 1 & 2 Isolation Gowns

Level 1 is clear

Level 2 gowns are blue

**THESE ARE PLASTIC THUMBLOOP
ISOLATION GOWNS, NOT SPUNBOUND
POLYPROPYLENE!
2 MIL PLASTIC LEVEL 2 Certified
AMERICAN MADE IN OHIO**

Comfortable, fluid-resistant protection. Full length coverage. Elastic arm cuffs. Waist ties secure in front. Latex-free.

P704020 Yellow Regular 10/Bag

P704030 Blue Regular 10/Bag

P704025 Yellow Xlarge 10/Bag





Thermometers



Item: TIG-C-TI-101-Special

Infrared forehead
thermometer

1,000 pieces

100 per box

Fob Florida



Item: JXB-301/302

MOQ: 5,000

Non-Contact Infrared Thermometer

Features:

1. Measuring time: 1 second
2. One key measurement
3. Forehead measurement, no skin contact
4. Alarm sounds if exceeding preset temperature
5. Beep function support
6. Auto- Shutoff function support
7. Long Life: 100,000 times
8. Cell battery

Item: HG01

Medical Infrared

Thermometer

100 per case



Item: SQT3
Non-Contact Infrared Thermometer



Specifications:
 Product Size: 37mm*16.3mm*150mm (L x W x H)
 Product Weight: 51g
 Memory: 32 Groups
 Operating Temp: 5°C-40°C
 Measuring Mode: Forehead
 Measuring Range: 32°C-42.2°C (89.6°F-108°F)
 Accuracy: ±0.2°C (35.0°C-42.0°C) ; ±0.3°C (32.0°C-34.9°C) ; ±2.1°C (42.1°C-42.2°C)
 Voltage Source: 2 x 1.5V Batteries, size AAA
 Display: LED display digital
 Automatic Power off



Item: JXB-178
Non-Contact
Infrared
Thermometer

They are currently coming in without the 2 ea "AA" batteries b/c they are being air freighted.

JXB-178 Non-Contact Infrared Thermometer

Provides quick and accurate measurement of body, room and surface temperature

- No contact with resident's skin reduces the risk of cross-contamination
- FDA cleared, clinical-grade thermometer for multi-patient and individual use
- No probe covers required - significant annual savings
- Ideal for sleeping or combative residents
- Ideal for F-Tag 257 compliance (comfortable & safe temperature levels)

ACCURATE
1/10 degrees

INSTANT
1 second measurement

AUDIBLE
option

FEATURES

- Non-contact reading in one second from 1.2 - 2 inches distance from forehead
- Large LCD digital display screen
- Stores the previous 32 temperature measurements
- Temperature can be displayed in either °F or °C
- Automatic power-off (30 seconds) to conserve energy
- Modes for body, surface and room (ambient) temperature
- Audible alarm if temperature exceeds 100.4°F
- 1 Year limited warranty - manufacturer defect only

LMP Home LMP010

10475 Pecosque Blvd
Irvine, CA 92618 USA
Tel: (949) 450-1100
Fax: (949) 750-1412
www.lmpusa.com

USA Medical Products Inc.

VALIDATED ACCURACY
 The JXB-178 was validated for accuracy by a certified accuracy lab. The JXB-178 was validated for accuracy by a certified accuracy lab. The JXB-178 was validated for accuracy by a certified accuracy lab.

FOREHEAD SCAN THERMOMETER #21562



- Range : 89.6°F-104°F (10°C-40°C)
- 3 Second Readings
- °F or °C Mode
- LCD Back-Lit LCD Display
- Accuracy: ±0.4°F
- Measuring Distance : 5-15cm
- Forehead, Object and Room Temperature Modes
- 10 Memories
- Auto Power off
- 7 Date Hold
- Fever Alarm if Over 100.4°F
- Dimensions: 6.06 X 1.61 X 1.77 Inches
- 2 AAA Batteries Included

FOREHEAD SCAN THERMOMETER #99901



- Range : 89.6°F - 108.5°F
- 5 Second Readings
- °F or °C Mode
- LCD Back-lit LCD Display
- Accuracy: ±0.4°F / .2° C
- Measuring Distance : 5-15cm
- Dual Mode
- 32 Memories
- Auto Power off
- 7 Date Hold
- High Temp. Alarm
- Carrying Case Included
- 2 (AA) Batteries not Included

FOREHEAD SCAN THERMOMETER #11268



- Range : 89.6°F-104°F (10°C-40°C)
- 3 Second Readings
- °F or °C Mode
- LCD Back-Lit LCD Display with 3 Colors to show Normal, Low and High Temps with Ease
- Accuracy: ±0.4°F
- Measuring Distance : 5-15cm
- Forehead, Object and Room Temperature Modes
- 32 Memories
- Auto Power off
- Fever Alarm if Over 100.4°F
- Dimensions: 6.89 X 1.97 X 2.09 Inches
- 2 AAA Batteries Not Included



Wipes



50 Count Alcohol Wipes

Element	Description
Country of Origin	China
Brand	CertainSupply®
Part Number	CS-AW-50P
Certifications	FDA Registered
Materials	Soft Spunlace Non-Woven Alcohol 75%
Sizing	Sheet: 20 cm x 15 cm
Packaging	50 sheets per pouch 32 pouches per carton 88 cartons per pallet Weight per Carton: 11 KG
MOQ	Case



80 Count Alcohol Wipes (Canister)

Element	Description
Country of Origin	China
Brand	CertainSupply®
Part Number	CS-AW-80C
Certifications	FDA Registered MSDS
Materials	Soft Spunlace Non-Woven Alcohol 75% NDC: Assigned
Sizing	Sheet: 14 cm x 18 cm
Packaging	80 sheets per canister (430 grams) 12 canisters per case (6.0 KG) 96 cases per pallet (576 KG) 23,040 [pieces per 40' container]
MOQ	Case



ITEM #	IMAGE	DESCRIPTION	CASE PACK
77932		Hand Sanitizer wipes, 50 ct Kills 99.99% Germs 75% Alcohol Available 8/5/2020	36
77520		Hand Sanitizer wipes, 20 ct Kills 99.99% Germs 75% Alcohol Available 8/5/2020	60
H610		Antibacteria Wet Wipes, 15ct Kills 99.99% Germs Available now	144

Disinfectant Wipes

160 Sheets Per Canister
FOB Michigan

FDA Registered Product
Kills 99.9% of Germs
Kills Cold & Flu Virus
Non-Toxic / Alcohol Free
Lemon Scented
Lint Free/Non-Abrasive

160 Wipes Per Canister

Number	Cans/Case	Sheet Size	Pallet	Case Size
HPW001	12	7" x 7"	60 Cases	15.8"x10.7"x13.8"

Large Quantity Discount Pricing



Dry Wipes & Cleaning Towels Mixed Pallets



(1)



(2)



(3)



(4)



(5)

Number	Amount	Size	Pallet
(1) 2502-B-DZ	12 Pack	16' x 16"	540 Dz / Pallet
(2) N-P060ITW	180 Box	12" x 16.75"	231 Case / Pallet
(3) N-E025IDW	150 Box	9.75" x 16.75"	55 Cases / Pallet
(4) N-V030CGW	300 Roll	10" x 12"	209 Cases / Pallet
(5) N-P060JPB	1100 Roll	12" x 13"	54 Cases / Pallet



Sanitizing Wipes

Product Information

Anti-bacterial cleansing wipes are gentle on sensitive skin & leaves hands feeling soft.

- Highly saturated, multi-use wipes
- WHO recommended formula and Health Canada Approved
- Effective, natural ingredients

Directions:

Use pre-moistened towelette to wipe hands.

Specifications

Medicinal Ingredients:

70% USP Ethyl Alcohol v/v.

Non-Medical Ingredients:

Purified Water, Glycerin,
Hydrogen Peroxide.

Quantity: 270 Wipes

Wipe Size: 5" x 5"

Container Size: 8"W x 7.5"H

UPC: 628055370468

NPN: 80101807

NDC: 78806-101-50

2.25 Litre pail with 270 wipes
(wipe size 5"x5")

336 pails per pallets

15 Litre pail with 450 wipes
(wipe size 9"x12")

48 pails/ pallet



Sanitizing Wipes

Product Information

Anti-bacterial cleansing wipes are gentle on sensitive skin & leaves hands feeling soft.

- Highly saturated, multi-use wipes
- WHO recommended formula and Health Canada Approved
- Effective, natural ingredients

Directions:

Use pre-moistened towelette to wipe hands:

Specifications

Medicinal Ingredients:

70% USP Ethyl Alcohol v/v.

Non-Medical Ingredients:

Purified Water, Glycerin,
Hydrogen Peroxide.

Quantity: 450 Wipes

Wipe Size: 9" x 12"

Container Size: 11"W x 13"H

UPC: 628055370451

NPN: 80101807

NDC: 78806-101-60

Prices and availability subject to change without notice

Thermal Screening



Package #2

Thermal Imager & 58" Tripod

+ USB-C Cable

- No need for face to face temperature taking!
- Save time with a quick contactless scan!
- Set the USB mode to USB camera after connecting to a computer for real-time image transmission!
- Full directional control while mounted!
- Adjustable Tripod Height for all applications!



Item ID

PTIMK

For Pricing & Availability, Please Contact your Sale Rep.

THERMAL TEMPERATURE SCREENING



Infrared PreTempScreen using thermopile arrays known as the Heimann Sensor, scanner is 100% contactless and frictionless, providing you with the most accurate method to safely read temperatures within a matter of seconds. A PreTempScreen is able to read body temperatures, and alert users if they have a fever.

Key Features:

- Wi-Fi Connectivity
- Offline and Online Facial Detection
- Access Control (can be integrated with automatic doors, or ticketing systems to restrict entry access to people who have a fever)
- Fever Alarm (reading exceeds 100.4°Fahrenheit or 37.8°Celsius)
- One Year Warranty
- Online and Analytics support
- Security Card Access
- Attendance record
- Facial Recognition



TakeTemps™

Turnkey Thermal Monitoring Station

Keep Your Doors Open & Safe From Illness

HOW IT WORKS

TakeTemps™ Body Thermal Detection Monitoring Solution is a simple, fully integrated hardware and software system capable of providing contactless temperature screening of up to 15 people within a 3-meter range - depending on the entry opening. The Dual Sensor IP Camera and Self-Contained Monitoring Station can be set up in minutes and requires no special training for use.

The camera(s) mounts easily overhead and is directly connected to the monitoring station to provide an accurate, initial temperature screening* in real time. An easy-to-use control panel displays both a visible video and thermal video of the screened subject. When an abnormal temperature is found, a pop-up alarm informs the monitoring system operator who can then request the person to do a secondary temperature measurement before entering the location.

The patented technology in the TakeTemps™ system can quickly and efficiently screen entrances of customers, employees or students entering any indoor lobby, hallway or access point and maintain a safe social distance for the operator while preventing invasive people from entering. Businesses and institutions can reopen or stay open while providing a safer environment to protect against illness.

Dual Sensor IP Camera



Self-Contained Monitoring Station



WHY TAKETEMPS™

- Real Time Fever Detection
- Touchless - Reduced Contamination Risk For Operator
- High Temperature Alarm Pop Up
- Allows for Screening of up to X People at Once
- Integrated Plug N Play Hardware & Software
- Lower-Cost Alternative to Imports
- Assembled in the USA



- Safe social distance for operator
- Proximity Camera Sensor Location - 3-meter range



- Easy to use Control Panel
- Visible Video and Thermal Video
- Alarm Pop Up - Body Temperature Above Normal

KEY FEATURES

CAMERA

- 2 MP Visible Light Spectrum Camera Combined with a Thermal Detection Camera
- Pandemic Fever Detection*
- Eliminates the Need to Manually Scan Students / Employees with a Hand Scanner (Reduces the Risk of Contaminating the Device Operator)**
- 3 Meter Detection Zone (Indoor Only)
- Includes Main Console IP+ Camera License & Thermal Analytic License
- Supports Live View (No Recording) as a Standalone System with a Windows Based PC when not Connected to a NUUO® Main Console VMS System

MONITORING STATION

- Elevated Temperature Detection Using NTD-10 Non-Contact Dual Sensor Thermal Camera
- Self-Contained Unit with Analytics & Video Monitoring Software
- Liveview Monitoring with Audible & Visual Event Notification
- Powers & Supports up to Four NTD-10 Thermal Cameras
- Provides Both Thermal & Visible Images Simultaneously
- Systems can Screen Multiple Personnel at the Same Time
- High Throughput-Reduces Screening Time



www.touchittechnologies.com



Temperature Kiosk			
F3VR Check Kiosk	0608641030975	55" TouchIT F3VR Kiosk, i5 OPS, Stand, IR Camera & Signage	



Hand Sanitizers



NEW! Disinfectant Spray Pen

- Convenient 2 function pen: Combines spray bottle + ballpoint pen
- Can hold up to 5ml of disinfectant, alcohol Or other liquids
- Quickly disinfects any surface. Perfect for the office, shopping, school or Traveling. Easy to refill
- Medium tip pen, blue ink
- Assorted body colors

Sold in blister card, counter display or bulk
Not recommended with gels
Do not spray directly on electronics

#1021 Blister Card

#1022 Counter Display

#1023 Bulk: 20 pieces



Item: 03825-P
Hand Sanitizer Gallon Gel
Case: 4
70% Alcohol. Gel.
Plant based ethyl alcohol



Item: 03821
Hand Sanitizer 4oz Gel
Case: 100
70% Alcohol. Gel.
Plant based ethyl alcohol



Item: 03826
Hand Sanitizer 16.9oz
Case:20
70% Alcohol. Gel.
Plant based ethyl alcohol



Item: 03823
1oz Hand Sanitizer with Rubber cl
on Carrying Case
70% Alcohol. Gel.
Plant based ethyl alcohol
Clips to any bag
Silicone case.
PDQ of 24



Item: 03822
Hand Sanitizer 2oz Gel
Case: 100
70% Alcohol. Gel.
Plant based ethyl alcohol



Item: HS-10-02

Hand Sanitizer 2oz Gel

Instant anti-bacterial hand sanitizer

Kills 99.9% of germs. FDA & CE approved

70% ethyl alcohol. Gel with aloe

192 bottles per case



Item: PN-169

Hand Sanitizer 16.9oz Gel

Instant anti-bacterial hand sanitizer, kills

99.9% of germs, FDA approved, 0.13%

Benzalkonium Chloride (Antibacterial)

12 bottles per case



Item: HS-10-34

Hand Sanitizer 3.4oz Gel

Instant anti-bacterial hand sanitizer

Kills 99.9% of germs. FDA & CE approved

70% ethyl alcohol. Gel with aloe

96 bottles per case



Item: CS-AS-500

Hand Sanitizer 16.9oz Gel

30 Bottles per Case

Instant anti-bacterial hand sanitizer

Kills 99.9% of germs. FDA & CE approved

70% ethyl alcohol. Gel with aloe

30 bottles per case

50 cases per pallet



Froggy's Simply Sanitizer or Simply Sanitizer Gel

Orders over 36 cases will receive free freight.



FROGGY'S SIMPLY SANITIZER™

- Complies with CDC and WHO guidelines for hand sanitizer.
- WHO-recommended handrub formulation.
- Dye and Fragrance Free
- Purest Ingredients Available
- 80+% Alcohol formula
- USP Food Grade Glycerin added as a moisturizing agent blend

Available from 1 Gallon - 250 Gallon Tote



**SIMPLY
SANITIZER™**

FDA REGISTERED FORMULA
GLYCERIN AS MOISTURIZER
80% SDA-40B ALCOHOL

FBI NUMBER: 3013443567
NDC LABELER NUMBER: 75682

Item: SOA0004

Select Choice Hand Sanitizer 4 oz
16 bottles per case



SelectChoice™

HAND SANITIZER

• GEL FORMULA
• LEAVES HANDS SOFT
• NON-STICKY

4 oz (118 mL)

Drug Facts	
Active ingredient	Purpose
Ethyl Alcohol 62%...	Antiseptic
Uses	
• Hand sanitizer to reduce bacteria on the skin	
• Recommended for repeated use	
Warnings	
For external use only	
Flammable, keep away from fire/flame.	
When using this product do not get in eyes. In case of contact, rinse eyes thoroughly with water.	
Stop use and ask a doctor if irritation or rash appears and lasts.	
Keep out of reach of children. If swallowed, get medical help or contact a Poison Control Center right away.	

Drug Facts (continued)

Directions

- Place enough product in your palm to thoroughly cover your hands.
- Rub hands together briskly until dry.
- Children under 6 years of age should be supervised when using this product.

Inactive ingredients
Water (Aqua), Fragrance, Carbomer, PEG-40 Hydrogenated Castor Oil, Chlorphenesin, Aminomethyl Propanol

Questions or comments?
Call 1-888-844-4362
Mon – Fri 8:00 AM to 5:00 PM

Manufactured by
HemaSource, Inc.
Salt Lake City, UT 84104
Made in U.S.A.
www.HemaSource.com

SOA0004

Hand Sanitizer 1.7 Oz.

Item # **HS50-98**

Contains 80% Alcohol.

- Made of Clear Gel
- Made in USA

Volume discounts available



Boutique Hand Sanitizer 0.5 Oz.

Item # **HS15-120**

Liquid Spray
Boutique

- Contains 80% Alcohol
- Made in USA

Volume discounts available



Half of Gallon of Hand Sanitizer 64 Oz.

Item # **JM CLEAN**

- Contains 80% Alcohol
- Made in USA



Gel Hand Sanitizer 3.4 Oz.

Item # **HS100-63**

Contains 80% Alcohol.

- Made of Clear Gel
- Made in USA

Volume discounts available



Hand Sanitizer 1 Oz.

Item # **HS30-144**

Liquid Spray

- Contains 80% Alcohol
- Made in USA

Volume discounts available



Gallon of Hand Sanitizer 128 Oz.

Item # **HS GALLON**

- Contains 80% Alcohol
- Made in USA

Volume discounts available





Free Logo Label on Bottle

Your Name & Logo on each Hand Sanitizer

Item # TIG-C-HS-151

75% Alcohol

FDA Approved

Each item can be private labeled for free & delivered free freight anywhere in the U.S.

- **15 MI Bottle (0.507oz) •20,000 pieces**
- **20 MI Bottle (0.676oz) •20,000 pieces**
- **30 MI Bottle (1.014oz) •20,000 pieces**
- **60 MI Bottle (2.028oz) •20,000 pieces**
- **100 MI Bottle (3.381oz) * 20,000 pieces**

- **250 MI Bottle (8.453oz) •20,000 pieces**
- **1 3,360 gallon minimum**



Hand Sanitizers Stands



Free Standing Ha
Sanitizer Dispens
- Non-Touch -
Refillable -
Automatic - Fits
1000ml of Liquid
Uses 4C Batteries
(Not Included)
Item: 01360



DISTRIBUTED BY:

AAA INTERESTS, LLC


AUTOMATIC
HAND SANITIZER
DISPENSER WITH STAND

WALL MOUNT
ALL NEW DESIGN
Non-Touch
Automatic Hand Sanitizer Dispenser
-Wall type-With hardware-1000ml refill container inside USE 4C battery



Dispenser Size: 4.75" x 4.14" x 13.28"
Max Capacity: 33.829 oz (1000ML)
Drop volume: 1-1.5 oz (30ml)
Power supply: 4x C Battery (not included)
Mounting hardware included

DISTRIBUTED BY:

AAA INTERESTS, LLC

Wall Mounted
Hand Sanitizer
Dispenser -
Refillable - Non-
Touch - Automatic
- Fits 1000ml of
Liquid - Uses 4C
Batteries (Not
Included)



Barrier Shields



Glass Shields

MARSH's *School Shield*

Staff and Student safety

Marsh's line of School Shields are perfect for Cafeterias, Attendance Offices, Libraries, Concession Stands, Ticket Offices and other areas where students and public interact. Elegant metal mounting and sturdy laminate base does not require modification or drilling at your school's chosen area. The School Shield's mobility serves different venues and tasks.

Best to assist schools and office environments with compliance and the protocols established to limit exposure among staff, students and visitors. Custom configuration and sizes available upon request.



3 additional heights now available: 36", 42" & 48"!



Multiple size options as well as pass-through and non pass-through options are available to fit your space and needs.



Quality Manufacturing

High-quality glass and hardware with superior aesthetic and clarity compared to plastic shields.



Exceptional Safety

Impact ratings of the highest standard are possible with Marsh tempered glass.



Clean & Sanitize

Glass is the ultimate material to clean and sanitize. Non-porous and easily maintainable.



Custom Design

Custom Logo and design options are available to fit your school's logos. Permanent installation options also available.



Regardless of your School Shield's intended location and use, it's easy to assemble and is the perfect fit for your school. Keep your staff, students and visitors safe.

Item: SG3092
Size of Student Barrier 23-
1/4" front panel & 17-3/4 side
panels - PETG
Polystyrene
.030/.040" thick





Item:SG3050

1/8" hinged desk barrier

Must be ordered in case lot of 8

Acrylic



Item:SG3051

1/8" slotted desk barrier

Must be ordered in case lot of 8

Acrylic

*More barrier shields available



Sneeze Guards

23.5" x 31.5" Lexan Sneeze Shield/Divider for reception/desks.

Use a plastic divider or sneeze guard at your location to help stop the spread of diseases transmitted through coughs and sneezes.

Protect employees and your customers by using a washable clear sneeze guard.

***Inquire for Pricing**



Covid19 Signs



TIG-M-AS-7777 Preventative Measure Sign 13.7" X 9.4" Acrylic (Plexiglass), minimum order 210, 1 case = 30 units, FOB Florida (small freight charge)



TIG-M-AS-7868 Preventative Measure Sign 15.7" X 13.3" Styrene, minimum order 300, 1 case = 100 units, FOB Florida (small freight charge)



STYRENE SIGNAGE 15.7 X 13.3 IN - AVOID COVID

TIG-M-AS-7777S Spanish Preventative Measure Sign 13.7" X 9.4" Acrylic (Plexiglass), minimum order 210, 1 case = 30 units, FOB Florida (small freight charge)



7777 - SEÑAL ACRILICO ELITE 35 X 24CM PREVENIR CORONAVIRUS

SOCIAL DISTANCING FLOOR GRAPHICS

(CONFIDENTIAL BEST VALUE PRICING)

REMOVABLE FOR UP TO TWO YEARS

CHOOSE FROM 5 PRE-MADE DESIGNS

ANTI-SCRATCH SURFACE IS ALSO SLIP RESISTANT

FEATURES

10" IN DIAMETER

ANTI SLIP

WASHABLE

ADHERES TO ANY INDOOR SURFACE

MADE IN QUEBEC, CANADA

HEAVY DUTY VINYL

LAMINATED FOR DURABILITY

REMOVABLE

QUANTITY	PRICE (CAD)
Minimum 5	\$5.00 each
10	\$4.50 each
15	\$4.25 each
20	\$4.00 each

* Custom Signs Available Starting at \$10.00 each



#10011 UPC 826750100117



#10012 UPC 826750100124



#10013 UPC 826750100131



#10000 UPC 826750100001

WAIT HERE
STOP THE SPREAD

6" x 12" Rectangle



12" x 12" Circle



12" x 18" Rectangle



18" x 18" Circle



18" x 18" Octagon

Social Distancing Floor Stickers

- 1) Removable Self Adhesive
- 2) Heavy Duty Vinyl
- 3) Laminated Anti-slip
- 4) Will adhere to all indoor surfaces
- 5) Made in Canada
- 6) Washable
- 7) 10 Inches / 25 cm in Diameter

WE CAN DO CUSTOM ORDERS
- MINIMUM 100 UNITS PER
STYLE



Disinfectants & Disinfectant Machines



DolphinPods Surface Disinfectant

DolphinPods have demonstrated effectiveness against viruses similar to Novel Coronavirus (2019-nCoV) on hard, porous and non-porous surfaces. Therefore DolphinPods can be used against Novel Coronavirus (2019-nCoV) when used in accordance with the directions for use against Norovirus, Coxsackievirus B3, and Hepatitis A virus on hard, porous/non-porous surfaces.

Our DolphinPods come in tablet form. These tablets contain 13.1g of HOCL, which is verified to be 80-100 times more powerful than bleach (<https://www.cdc.gov/infectioncontrol/guidelines/disinfection/disinfection-methods/chemical.html>) and no negative effects on people or the environment.

HOCL

A Powerful Anti Microbial

HOCL is SAFE on a variety of surfaces and has no harmful side effects to humans or animals.

Many Studies Show:

- Effective Biofilm Removal
- Destruction of cysts and spores
- Effective Virus kill including coronavirus
- Effective Bacterial Destruction

HOCL - SUPER OXIDIZED WATER

Biomimicry copying the human response to pathogen

- HOCL is EPA Registered as a Disinfectant
- Complies with Surface Disinfection requirements of OSHA Bloodborn Pathogens standard
- **Naturally Quick Contact Times**
Studies shows that HOCL kills most organisms in one minute or less
- **Surface Friendly**
Compatible with a wide range of hard surfaces and will not discolor upholstery and plastics.
- **No Alcohol/Quat Free**
HOCL and H2O is used in skin healing



Simple, Effective and Less Wasteful

1

Bring out the reusable DolphinPods' bottle.



2

Fill it with water.



3

Drop one single DolphinPods' tablet into the bottle.



4

Allow 3 minutes to dissolve.



Medical Grade Surface Disinfectant

1 POD provides 24 oz of Surface Disinfectant

DolphinPods 40 Pods / Box
DolphinPods 1 Case
Dolphin POD Refill Bottles 4 PACK

Medical Grade Surface Disinfectant, 1 pod/24 oz H2O, 40ea/box
Dolphin Pods Case pack, 10 boxes/case 400 TABLETS(90 cs/pallet)
4 each/case, refill Labeled Bottles

Last Spray – Electric Fogger



LAST SPRAY ELECTRIC SPRAYER LS101

PRODUCT FEATURES

- **ELECTRIC DISINFECTING MACHINE**
- **LONG RANGE ULTRA CAPACITY**
- **RELIABLE PERFORMANCE & CONVENIENT USE**
- **FOG PARTICLES AS SMALL AS 15 MICRON SIZE (ADJUSTABLE)**
- **PORTABLE SIZE**
- **PERFECT FOR SANITATION AND EPIDEMIC PREVENTION**

PRODUCT SPECIFICATIONS

- **VOLTAGE: AC 110/50HZ**
- **MIST DIAMETER: ≥ 15 (ADJUSTABLE)**
- **SIZE: 18.9 X 8.6 X 11.8 (INCH) (L X W X H)**
- **NET WEIGHT: 8.1 LB.**
- **DISTANCE OF DIRECT SPRAY: ABOUT 19FT – 25FT**
- **CHEMICAL TANK: 7L**



CE CERTIFIED

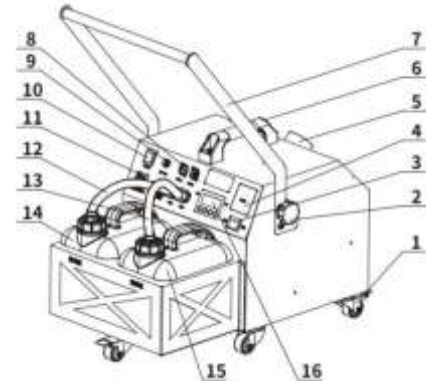
Item: Last Spray Electric Fogger
Ultra Capacity Electric Fogger/Mister
Free Freight

Last Spray 360 Disinfectant System

Item: LS360

Last Spray 360° Disinfection System is a patented disinfection product for enclosed and semi-enclosed space.

Based on original molecular suspension disinfection technology, the disinfection fog generated by LAST SPRAY 360 with long lasting suspension disinfection, all pervasive etc. characteristics thus can achieve comprehensive surface and space effective disinfection.



1. Caster
2. Knob
3. ON/OFF switch
4. RFID area
5. Fog nozzle
6. Handle
7. Pushrod
8. Communication interface
9. Fuse
10. Power switch
11. Power in
12. Disinfectant tank connection pipe
13. Synergist tank connection pipe
14. Disinfectant tank
15. Synergist tank
16. Display

Disinfectant Fog Machine

EXCELLENT SPRAY EFFECT: Smoke is automatically discharged, the electric sprayer will purify the air for about 5 to 8 minutes, and then the smoke will absorb the harmful substances in the air. After 10 minutes, reenter to clean air.

OVERHEAT PROTECTION: The air blower machine has Auto Stop function. Before overheating it will Auto Start with timers on. This guarantees that the product will last long.

FOGGING SURFACE SANITIZER: Can produce Smoke Fog with 25% mixture of -WATER BASED- Fog Liquid or Fog Juice into the sanitizer. Disable Fire Alarm during use recommended.



- 
Removal of formaldehyde
- 
Purifying air
- 
Antivirus
- 
Fragrant air

Metal Housing

Ultraviolet disinfection lamp

Light aseptic
By the health

100%
In addition to mites rate

99.9%
Sterilization rate

< 40M²
Applicable area



Item: SQT-23

Applicable places of UV Germicidal Lamp

Suitable for indoor use, easy to use and safe.



▲ Caution

1. Don't irradiate skin for a long time, which is harmful to human body.
2. Don't direct the eyes, causing injury.
3. Eyes would be hurt by seeing the light directly.

UV Portable Sterilizer

User Manual



Item: SQT-27



To ensure proper operation, please read this Instruction Manual carefully before using this product. Keep this manual in a safe place for future reference.

DISINFECTANT MATS

DEEP TRAYS HOLD LARGE AMOUNT OF DISINFECTANT
3 OPTIONS FOR DIFFERENT SIZE AREA AND TRAFFIC



#10050

UPC: 826750100506

tray (49x82cm/19"x32") +
wet area (artificial grass) & dry carpet

#10051

UPC: 826750100513

rubber tray with polyester carpet +
PVC spray mat (45x75cm/18"x30")

#10052

UPC: 826750100520

PVC tray & insert (30X59cm/12"x24") +
large dry carpet (90X120cm/36"x48")

Inner: 3 Master: 6



Covid19 Tests



Covid19 Instant Rapid Test Kit



Relative sensitivity: **96.4%**
(95%CI:*90.3%-98.6%)

Relative specificity: **98.7%**
(95%CI:*94.5%-99.6%)

Accuracy: **98.1%** (95%CI:*93.8%-99.3%)

*Confidence Intervals

[Contact for more information](#)

Rapid Covid-19 Test Kits

BEST PRODUCTS • BEST PRICES • BEST SERVICE



Coronavirus Testing: CBS4's Joan Murray Gets Firsthand Look At How Antibody Test Is Administered

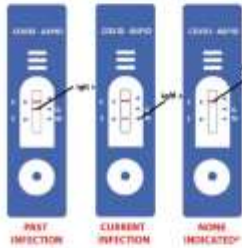


Click Here for a CBS Miami News Clip on Covid-Rapid

Call For Pricing

Covid-Rapid is a simple-to-use antibody test that helps screen and determine immunity with virtually zero false positives.

- Test and Go, with results in less than 15 minutes
- Portable, with no need for equipment or lab processing
- Affordable, for widespread testing of all Americans
- Convenient, for drive-in and walk-in screening
- CE Certified Number: RPS/340/2020



Fast & Easy

It's as simple as a test for pregnancy or blood glucose.

1. First, prick a finger for a few drops of blood.
2. Then, add reagent to blood in a tiny well and mix.
3. Finally, add strips and see if the patient tests positive or negative.

If only one line appears, the test is negative.

If more than one line appears, the test is positive.

A positive result indicates that the patient has been exposed to COVID-19 and developed antibodies to fight it. More specifically, the line that appears indicates if the patient is currently infected with COVID-19 or had been in the past. The presence of IgM indicates current infection, while IgG indicates infection at least 10 – 15 days prior.

How to Order

To ensure proper use and accountability, FDA guidance mandates verification. To begin verification process, please contact us for more information.

As reported by The New York Times, more than 50 scientists and doctors from around the United States have performed the first large-scale comparative study of 12 different COVID-19 antibody tests. “In the new research, researchers found that only one of the tests never delivered a so-called false positive — that is, it never mistakenly signaled antibodies in people who did not have them,” [The New York Times](#) said, referring to Sure Bio-Tech API Covid-Rapid. “Tests made by Sure Biotech...produced the fewest f:

**Soon to be FDA Approved*

Specificity in 108 blood donor plasma specimens collected before July 2018											
	IgM			IgG			IgM or IgG				
	Total N	Positive	%	Total N	Positive	%	Total N	Positive	%		
Immunochromatographic Lateral Flow Assays											
BioMedomics	107	13	87.85	107	4	96.26	107	14	86.92		
Bioperfectus	104	3	97.12	104	2	98.08	104	5	95.19		
DecomBio	107	10	90.65	107	9	91.59	107	11	89.72		
DeepBlue	108	17	84.26	108	1	99.07	108	17	84.26		
Innovita	108	4	96.30	108	0	100.00	108	4	96.30		
Premier	108	2	98.15	108	1	99.07	108	3	97.22		
Sure	108	0	100.00	108	0	100.00	108	0	100.00		
UCP	107	2	98.13	107	2	98.13	107	2	98.13		
VivaChek	99	5	94.95	99	4	95.96	99	5	94.95		
Wondfo							106	1	99.06		
ELISAs											
Epitope	108	3	97.22	108	10	90.74	108	11	89.81		
In-House							108	1	99.07		
Percentage of positive specimens from individuals who were positive for non-SARS-CoV-2 viral infections and/or tested negative for SARS-CoV-2 by RT-PCR											
	IgM			IgG			IgM or IgG				
	Total N	Positive	%	Total N	Positive	%	Total N	Positive	%		
Immunochromatographic Lateral Flow Assays											
BioMedomics	52	8	15.38	52	4	7.69	52	11	21.15		
Bioperfectus	45	5	11.11	45	6	13.33	45	8	17.78		
DecomBio	52	5	9.62	52	2	3.85	52	6	11.54		
DeepBlue	52	14	26.92	52	7	13.46	52	14	26.92		
Innovita	28	2	7.14	28	2	7.14	28	3	10.71		
Premier	52	1	1.92	52	1	1.92	52	2	3.85		
Sure	52	0	0.00	52	0	0.00	52	0	0.00		
UCP	52	3	5.77	52	2	3.85	52	3	5.77		
VivaChek	49	4	8.16	49	1	2.04	49	4	8.16		
Wondfo							41	0	0.00		
ELISAs											
Epitope	52	2	3.85	52	8	15.38	52	9	17.31		
In-House							52	7	13.46		

Custom Pump or Spray Bottles

QUANTITY	200	500	1,000	2,500	5,000	10,000
16 Oz. PUMP Frost, White	\$2.69	2.49	2.29	1.99	1.99	1.99
20 Oz PUMP Clr, Gr, Red, Bl, Pur, Smo, Fuscia	\$3.25	3.05	2.85	2.50	2.50	2.50
16 Oz. SPRAY Frost, White	\$3.15	2.95	2.75	2.49	2.49	2.49
20 Oz. SPRAY Clr, Gr, Red, Bl, Pur, Smo, Fuscia	\$3.40	3.20	3.05	2.75	2.75	2.75
24 Oz. SPRAY Clear, Gr, Red, Bl, Smoke	\$3.65	3.40	3.25	2.80	2.80	2.80
32 Oz. SPRAY Clear, Gr, Red, Bl, Smoke	\$3.80	3.60	3.45	2.96	2.95	2.95

- Price Includes a 1 Color Imprint on 1 Side
- BLANK – Use Next Quantity Column
- 2ND Side Imprint \$.35
- Additional Imprint Colors / Location: \$.40@
- Production: 5 Days
- Next Day Rush Service: \$.50 / Bottle
- Set-up Charge: \$67.50 / Color / Side
- PMS Color Match: \$67.50 (Adds 1 Day)
- E-mail Proof: Add 1 Day

Full Color Wrap; Add \$2.50 / \$175.00 Set-up Charge

